



www.petlibro.com



Model: PLAF005 & PLAF006

USER MANUAL

Granary Automatic Pet Feeder

PETLIBRO

Granary Automatic Pet Feeder

Model: PLAF005 & PLAF006

©Libro Corp. All Rights Reserved.

Manufacturer: Shenzhen Libro Technology Co., Ltd.

Address: 12/F, Tower B, GALAXY WORLD, Yabao Road,
Longgang District, Shenzhen, China

Made in China

PLAF005&006_V2.0

CAN ICES-3 (B)/NMB-3(B)



This device complies with Part 15 of the FCC Rules. Operation is subject to the following two conditions: (1) this device may not cause harmful interference, and (2) this device must accept any interference received, including interference that may cause undesired operation.

This user manual only applies to PETLIBRO

Granary Automatic Pet Feeder with one bowl. Read and save the manual.

CONTENTS

SAFETY GUIDELINES	01
WARRANTY	04
IN THE BOX	05
PRODUCT OVERVIEW	06
BUTTONS AND DISPLAY OVERVIEW	08
HOW TO USE	10
CLEAN AND CARE	21
SPECIFICATIONS	26
TROUBLESHOOTING	27

SAFETY GUIDELINES

! WARNING

- Dispose of all packaging materials properly. Some items may be packed in plastic bags; these bags could cause suffocation; keep away from children and pets.
- Do NOT allow small children to play with, in or around the pet feeder.
- To reduce the risk of injury, please keep close supervision when an appliance is used near children.
- Do NOT use the feeder with pets not able to reach the food tray or with any physical disability.
- Do NOT immerse the base part in water at any time as it may damage electronic components like the control panel.
- Do NOT place any foreign object in the pet feeder.
- Do NOT use outdoors. Check operation frequently to be sure the unit is dispensing properly.
- Do NOT use wet, canned or moist food.
- Do NOT disassemble the unit other than as instructed in this User Guide.
- Do NOT use the feeder for anything other than its intended use.
- Only use attachments recommended or sold by the manufacturer. The use of attachments not recommended or sold by the manufacturer may cause an unsafe condition. Do not modify the pet feeder.
- Do not operate any appliance if the unit is malfunctioning or has been damaged. Do not attempt repairs on the pet feeder yourself. Contact our customer service immediately for further instructions.
- Always unplug when not in use and before cleaning.
- Never pull on the electrical power cord to remove the plug from the wall outlet.

- If the plug of this device gets wet, turn on electricity to that wall outlet. Do not attempt to unplug.
- Examine the feeder after installation. Do not plug in if there is water on the power cord or plug.
- To avoid tripping, always position power cord out of the way of foot traffic.

CAUTION

- Do NOT allow pets to chew on or swallow any parts. If you are concerned about the power cord, purchase a cord conduit (a hard-plastic protector) at any hardware store to protect the power cord.
- If an extension cord is necessary, one unit with a proper rating should be used.
- Do NOT install or store the pet feeder where it will be exposed to weather or temperatures below 4°C / 40°F.
- Use alkaline D batteries to power. Do NOT use rechargeable batteries.
- Check the batteries regularly. Before leaving for extended time, always replace batteries with new ones.
- Do NOT lift the pet feeder by lid, food tank, or food tray. Lift and carry it using both hands and the base, while keeping the unit in an upright position.
- Suitable for dry food ONLY, with kibble size ranging from 2-15mm / 0.07-0.6in in diameter. Larger kibble may get stuck at the food outlet.
- Do not put your fingers into the food outlet or let your fingers touch the rotor.
- Read and observe all important notices listed on the pet feeder and in the packaging.

This device complies with Part 15 of the FCC Rules. Operation is subject to the following two conditions:

- (1) this device may not cause harmful interference, and
- (2) this device must accept any interference received, including interference that may cause undesired operation.

Changes or modifications to this unit not expressly approved by the party responsible for compliance could void the user's authority to operate the equipment.

NOTE:

This equipment has been tested and found to comply with the limits for a Class B digital device, pursuant to Part 15 of the FCC Rules. These limits are designed to provide reasonable protection against harmful interference in a residential installation. This equipment generates, uses and can radiate radio frequency energy and, if not installed and used in accordance with the instructions, may cause harmful interference to radio communications. However, there is no guarantee that interference will not occur in a particular installation. If this equipment does cause harmful interference to radio or television reception, which can be determined by turning the equipment off and on, the user is encouraged to try to correct the interference by one or more of the following measures:

- Reorient or relocate the receiving antenna.
- Increase the separation between the equipment and receiver.
- Connect the equipment into an outlet on a circuit different from that to which the receiver is connected.
- Consult the dealer or an experienced radio/TV technician for help.

This device and its antenna(s) must not be co-located or operation in conjunction with any other antenna or transmitter.

Radiation Exposure Statement

To maintain compliance with FCC's RF Exposure guidelines, This equipment should be installed and operated with minimum distance of 20cm from your body.

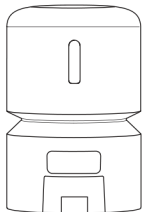
WARRANTY

- 1-year warranty
- Lifetime support

For guidance on product use and warranty extension, please contact our brand after-sales staff via email: **support@petlibro.com**.

If any questions related to orders, please contact the seller through the shopping platform.

IN THE BOX



Automatic Pet Feeder

X1



Food Bowl with Holder

X1



Power Adapter

X1



User Guide Kit

X1

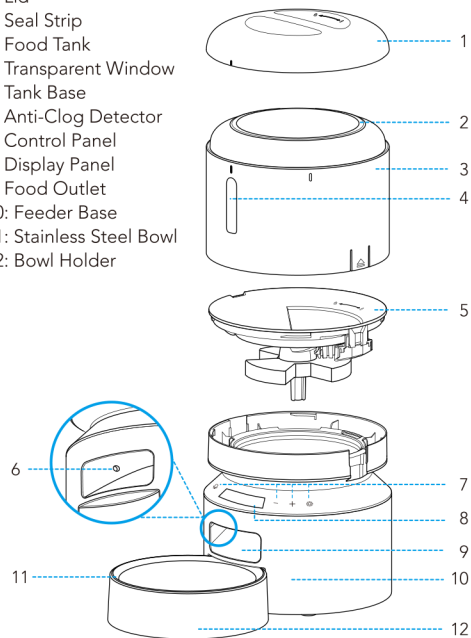


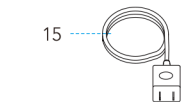
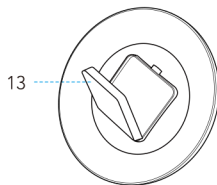
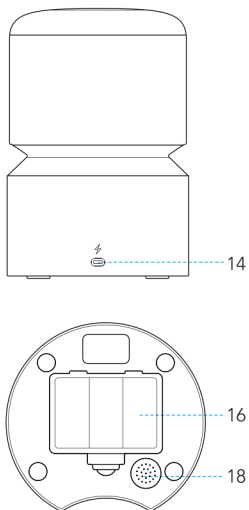
Desiccant Bag

X1

PRODUCT OVERVIEW

- 1: Lid
- 2: Seal Strip
- 3: Food Tank
- 4: Transparent Window
- 5: Tank Base
- 6: Anti-Clog Detector
- 7: Control Panel
- 8: Display Panel
- 9: Food Outlet
- 10: Feeder Base
- 11: Stainless Steel Bowl
- 12: Bowl Holder





13: Desiccant Box
14: Power Jack
15: Power Adaptor

16: Battery Compartment
17: Compartment Lid
18: Speaker

BUTTONS AND DISPLAY OVERVIEW



Unlock Button

Press and hold for 3s to unlock other buttons and screen.



Manual Feeding Button

Press 1-5 times to dispense 1-5 portions of food.



Record Button

Press once and a beep is heard, record your message (max 10s), then press again to save and a double beep is heard.



Number Decrease Button

(Unlocked Status) Press to switch between meal number.
(Setting Status) Press to decrease number.



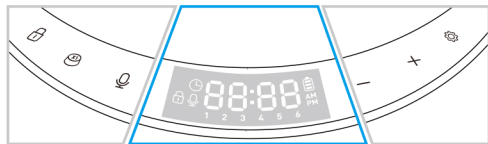
Number Increase Button

(Unlocked Status) Press to switch between meal number.
(Setting Status) Press to increase number.



Setting Button

(Setting Status) Press to confirm and enter next step.
Press and hold for 3s to return to the locked interface.

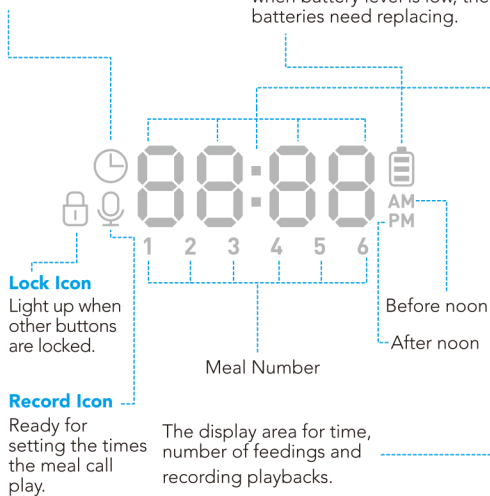


Time Setting Icon

Ready for current time setting.

Battery Level Icon

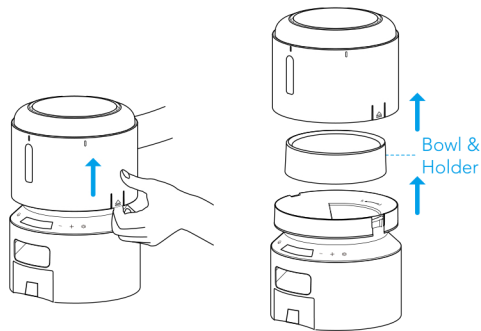
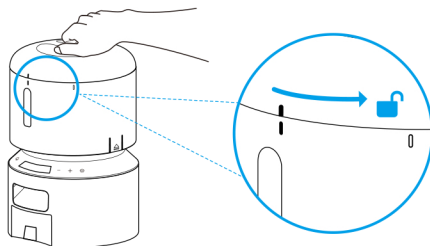
Light up when batteries are installed. Turn red and flash when battery level is low, the batteries need replacing.



HOW TO USE

Assembly and Prepare for Setting

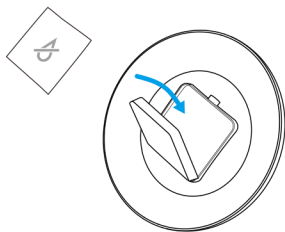
1. Take out the food bowl inside the food tank.
Twist the lid anticlockwise to remove the lid. Pull up along the notches on either side to remove the food tank.



2. Place the desiccant bag into the inner box under the lid.

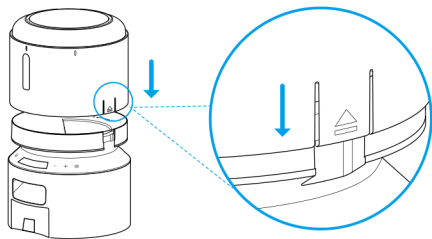
Notes:

- It is recommended to change the desiccant bag every 15 days to prevent mold growth.
- Remove the desiccant bag before cleaning the lid.



3. Install the food tank.

Align the food tank with the notches on both sides of the tank base.

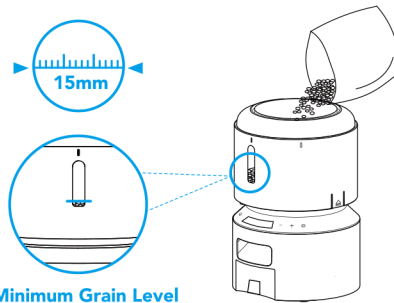


4. Add dry pet food to the food tank.

To prevent uneven food dispensing, please add enough pet food to the visible level.

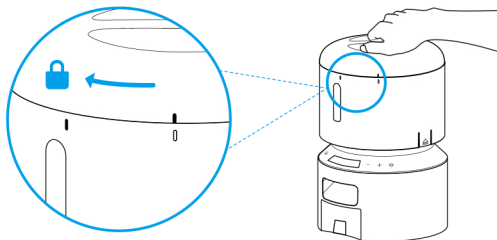
Recommended kibble size: 2-15mm/0.07-0.6 inch in diameter.

Do not use canned, wet, or moist food.



5. Put the lid back on.

To snap into place, turn the lid clockwise from the right rotating sign to the left rotating sign.

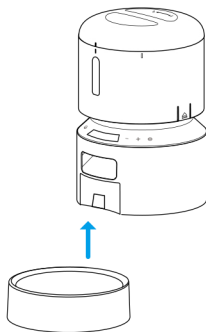


6. Install the Food Bowl

Attach the bowl to the designated notches underneath the feeder base.

Note:

Before moving the feeder, press the bowl down to remove it from the feeder base. If there is grain in the food bowl, handle it gently to avoid spilling. Hold the base instead of any other parts when lifting the feeder.



7. Connect Power

1) Plug the 5V power adapter into a power socket and the USB cable into the USB port on the back of the feeder.

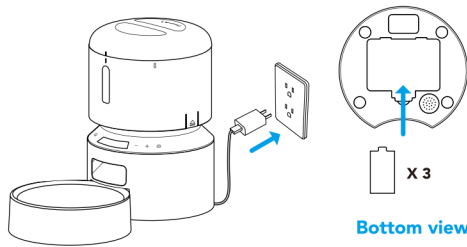
2) The LED display will light up automatically to indicate the feeder is on.

3) Open the battery compartment at the bottom of the feeder. Install three alkaline D batteries (not included) in case of a power outage. Make sure the batteries match the positive and negative poles with the markings in the compartment.

4) After the batteries are installed, the battery icon will light up on the screen; when the icon turns red and flashes, it means the battery level is low and the batteries need replacing.

Note:

- **Batteries are not included.**
- **To avoid sudden power outage and the feeding of your pet is affected, do not use the batteries as the only source to power the feeder, the batteries can only be used as an emergency plan.**
- **To avoid battery leakage, remove the batteries if you won't be using the device for some time.**



Program Setting

1. Set the Current Time

Please pay attention to the 12-hour AM/PM format. Time will change from AM to PM automatically according to your setting.


The Time Chart of 12-hour Format	
01:00 AM	01:00 PM
02:00 AM	02:00 PM
03:00 AM	03:00 PM
04:00 AM	04:00 PM
05:00 AM	05:00 PM
06:00 AM	06:00 PM
07:00 AM	07:00 PM
08:00 AM	08:00 PM
09:00 AM	09:00 PM
10:00 AM	10:00 PM
11:00 AM	11:00 PM
12:00 PM	12:00 AM



- 1) Press and hold the Unlock Button  for 3s to unlock other buttons and screen, the Current Time Setting Icon  on the screen flashes, it indicates it enters setting mode.

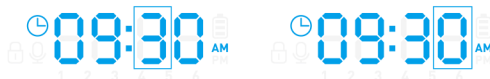


- 2) Press the Setting Button , the hour digits flash.



- 3) Use the Increase/Decrease button $+/-$ to set the current hour, and then press the Setting Button  to save and move to the minutes setting.

- 4) The tens digits of minute flashes, press the Increase/Decrease button $+/-$ to set the tens digit first and press the Setting Button  to save, then set the single digit and press the Setting Button  to save. The current time setting is complete.



Note: The control buttons and the screen will be locked automatically after 1 minute of standby.


2. Set the Time and Portion of Meals Set the time of the first meal



- 1) After the current time is set, the feeder enters feeding plan setting mode. The icon  will flash, indicating it's ready for settings of the first meal.

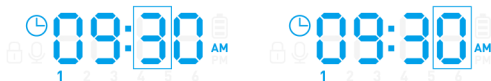


- 2) Press the Setting Button  to set the feeding time of the first meal. The hour digits will flash.



3) Press the Increase/Decrease button $+/-$ to set the hour. And press the Setting Button  to save and move to minutes setting.



The tens digits of minute flashes, press the Increase/Decrease button $+/-$ to set the tens digit first and press the Setting Button  to save, then set the single digit and press the Setting Button  to save.



Set the portion of the first meal

Once the first meal time is set and saved, the feeder enters portion setting mode. The screen will display P-XX, standing for portions.



1) Press the Increase/Decrease button $+/-$ to set the portions (Max 50), set the tens digit first and press the Setting Button  to save, then set the single digit and press the Setting Button  to save.





2) Repeat the steps above to set the time and portion of other meals if needed. The feeder supports up to 6 scheduled meals per day.



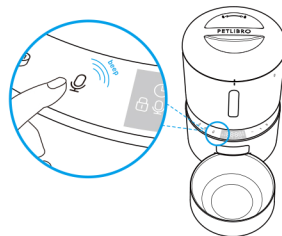
Note: The default feeding time of the first four meals is 6:00 AM, 12:00 PM, 6:00 PM, 12:00 AM, and the time of the fifth and sixth meal time is 1:00 AM; The default portion is 0. You can change the presetting.

3. Record a Meal Call

- 1) In the unlocked state, press the Record Button  once, a beep is heard.
- 2) Speak and record your message (The maximum record time is 10 seconds). Press the Record Button  again to end, two beeps will be heard indicating the recording is saved.
- 3) The recording will automatically play once for you to check the voice you just recorded.


Note:

- The default of the meal call playback is 2 times, and the meal call will play when feeding time is up.
- The meal call does not play during manual feeding, only play at each designated meal.




4. Set the Times the Meal Call Play

The times the meal call play can be set from 0-5. If the time is set as zero, the meal call will not play at the corresponding meal.

- 1) In the unlocked state, press and hold the Record Button for 3s, the record icon is on and the meal icon **1** keeps flashing.
- 2) Press the Increase/Decrease button **+/-** to choose the number of meal you want to set, then press the Setting Button  once to save.




- 3) The screen will display F-XX, standing for playback times. Press the Increase/Decrease button **+/-** to set the times the meal call play, then press the Setting Button  to save.



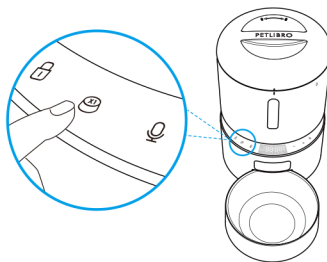
- 4) Repeat the steps above to set the number of times the meal call play for other meals.

Note: After all settings are complete, press and hold the setting button for 3 seconds to return to the locked interface.

5. Manually Feeding Your Pet

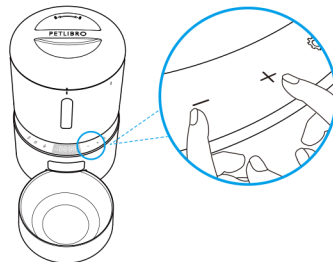
In the unlocked state, press the manual feeding button  once, the feeder dispenses one portion of food. You can press the manual feeding button at most 5 times, and the feeder will dispense 5 portions of food.

Note: The normal schedule and portion is not affected.



6. Clear All Settings

Press and hold the Increase/Decrease buttons **+/-** simultaneously for 6 seconds until the machine emits three beeps, all icons on the screen light up, indicating the resetting is complete.



CLEAN AND CARE

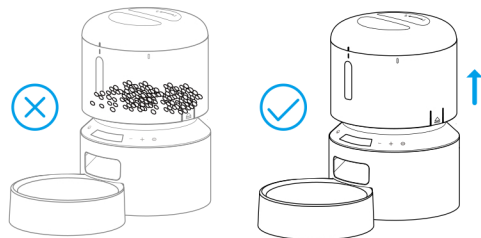
It's recommended to clean the feeder regularly for the health of pets.

The washable parts are as follows: lid, food tank, tank base, stainless steel bowl, and bowl holder.

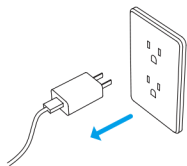
Clean other parts with a dry cloth.

Clean the tank lid, food tank, tank base

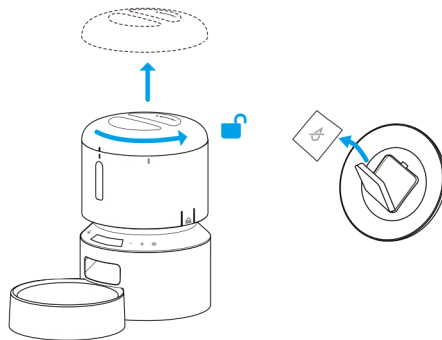
Before removing the food tank, be sure the food tank is empty in case of food spilling all over.



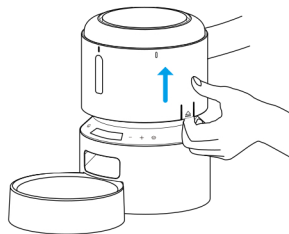
1. Disconnect power before cleaning.



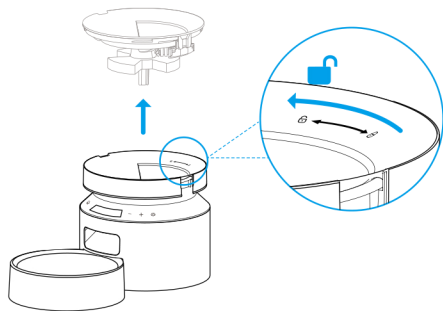
2. Twist anticlockwise to remove the lid and take out the desiccant bag from the inner box under the lid.



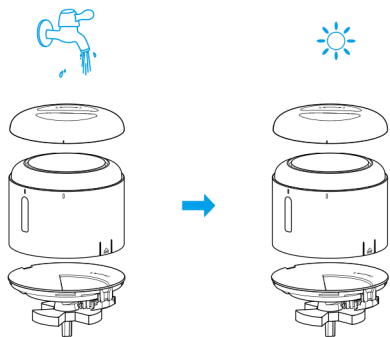
3. Pull up along the notches to remove the tank.



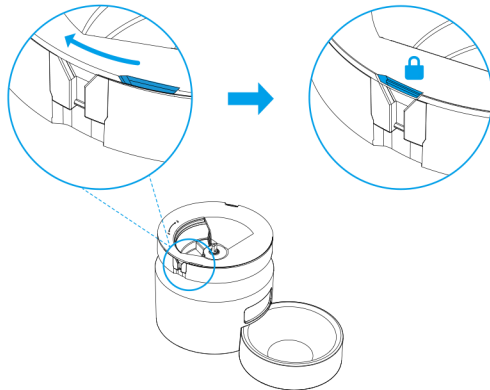
4. Twist anticlockwise to remove the tank base.



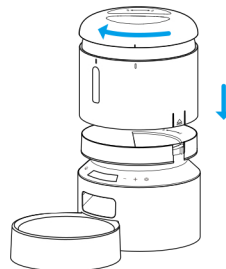
5. Thoroughly rinse and air dry the lid, tank and tank base .



6. Refit them to the machine. Turn the tank base clockwise until it snaps into place

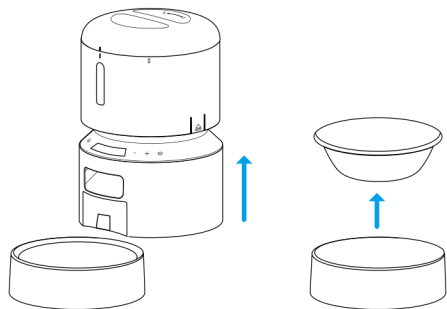


7. Then install the tank and lid.

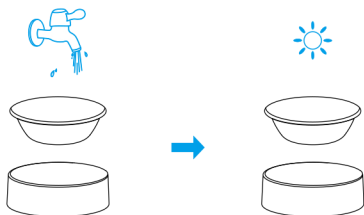


Clean the Food Bowl

1. Press down the food bowl with holder to remove them.



2. Rinse and air dry them thoroughly before refitting them to the machine.



SPECIFICATIONS

Model	PLAF005
Capacity	3 liters
Screen	LED screen
Power	DC 5V power adapter; 3 x alkaline D batteries (not included)
Power Adapter	AC100-240V Input, DC 5V output
Operating Temperature	0 C - 55 C / 32°F - 131°F
Dimensions	28 x 19 x 19 cm / 11x 7.5 x 7.5 in
Net Weight	1.5 kg / 3.3 lbs

Model	PLAF006
Capacity	5 liters
Screen	LED screen
Power	DC 5V power adapter; 3 x alkaline D batteries (not included)
Power Adapter	AC100-240V Input, DC 5V output
Operating Temperature	0 C - 55 C / 32°F - 131°F
Dimensions	34.6 x 19 x 19 cm / 13.6 x 7.5 x 7.5 in
Net Weight	1.64kg / 3.6lbs

TROUBLESHOOTING

The answers to these questions should help you solve most problems you may have with the pet feeder. If they do not, please contact our Customer Care Center via support@petlibro.com.

Problem	Solution
"E1" shows on the screen and flashes.	<ol style="list-style-type: none">1) Remove the blockages at the food outlet.2) The anti-clog detector needs cleaning.
I press the buttons but they don't work.	Press and hold the Unlock Button for 3s to enter the setting mode.
I forget the meal settings.	<ol style="list-style-type: none">1) The number of the meals that have been set will show on the locked interface. (Not show if not set)2) In the unlocked state, press the Increase/Decrease button to choose the meal number you want to check, then press the setting button to check the settings.
The food won't come out.	<ol style="list-style-type: none">1) Please make sure the food in the tank is dry, and food size is within 2-15 mm / 0.07-0.6 inches in diameter.2) Remove the food tank and tank base, check if the chute inside is blocked.3) Check if the anti-clog detector at the food outlet is dirty or blocked.4) Check whether the battery level is low, whether the power adapter is connected, whether power outage occurs when the power adapter is connected and batteries are not installed.

Problem	Solution
LED display is off.	<ol style="list-style-type: none">1) Press and hold the Unlock Button for 3s to unlock the screen.2) Check whether the power adapter is connected.3) Contact the support team at support@petlibro.com if the display still won't light up when the appliance is well connected to power.
I can't remove the food tank.	Please pull upwards along the notches on either side to remove the food tank.
The food amount of each portion is not the same.	The first few portions may vary, but it doesn't mean it's faulty. After about 6 feedings, it should be almost even.